



# ProV™ 200 Series Gliding Window Parts Reference Catalog

#563171

FOR PRODUCT PRODUCED AFTER 05/95



Gliding Window includes:

- Single Gliding
- End Vent
- Equal End Vent

GLIDING  
WINDOW



Order Form

ORDER  
FORM

©2006, SNE Enterprises, Inc.

### TABLE OF CONTENTS:

Gliding Window Exploded View	1
Replacement Parts	2
Replacement Parts/Accessories	5
Screen Exploded View	8
Screen Replacement Parts	9
Standard Catalog Size Charts	10
Standard Catalog Screen Size Charts	12

### DESCRIPTION:

All vinyl gliding window.  
One sash operating, other sash fixed on standard unit.

### FRAME/SASH OPTIONS:

White or Sandtone

### HARDWARE OPTIONS:

Screen frame and locks are color matched to window.

### DISTINGUISHING FEATURES:

Full 3 1/4" main frame  
Integral 1 1/4" nail fin

### HOW TO ORDER A PART:

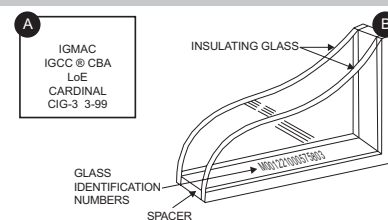
Identify the part using the exploded views and indexes. Reference the part in the Replacement Parts/Accessories Section beginning on page 2, using the number from the index.

**When ordering replacement parts, unit must be viewed from the exterior.**

### GLASS IDENTIFICATION CODE:

The glass code number references the date of manufacture, which is helpful in identifying the product.

**When ordering warranty replacement glass, sash or panels, it is necessary to specify the glass identification code.** Markings are stamped on one of the four sides of the spacer channel which separates the two panes of glass. (Refer to the illustration at right)

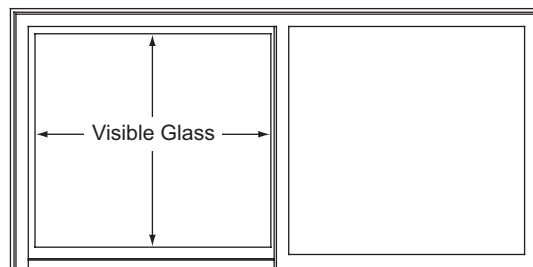


Markings are etched in the glass (A) or are printed/stamped on one of the four sides of the spacer channel which separates the two panes of glass (B).

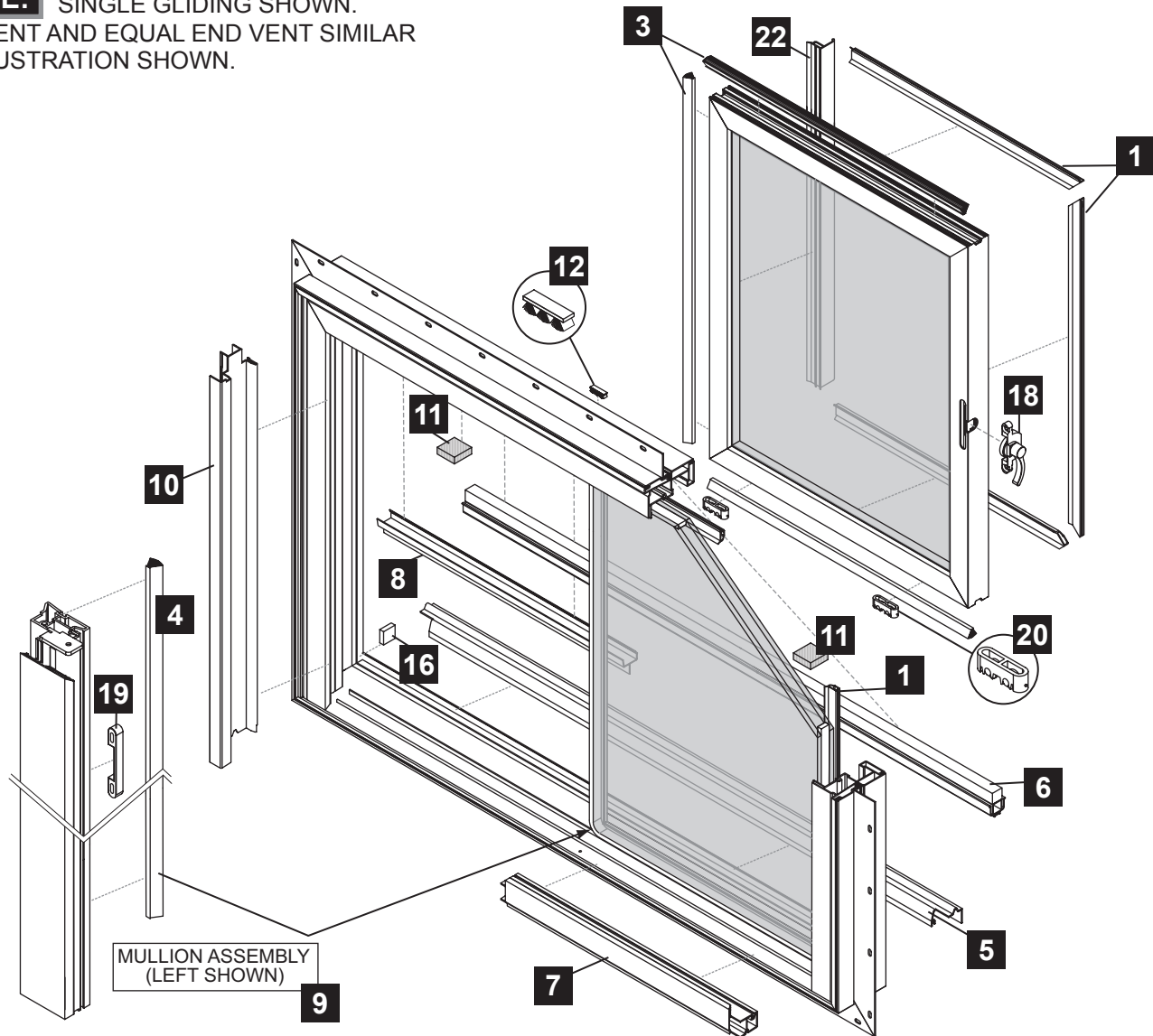
### MEASURING VISIBLE GLASS:

Typically, a part can be ordered by specifying catalog size or visible glass. The visible glass dimensions can be determined by measuring the width and the height of the exposed glass on the operating sash from inside the home. (Refer to arrows on the illustration at right)

**Measurements within + or - 1/4" will be rounded to the nearest standard size as given in the tables on the Standard Catalog Size Charts. Visible glass dimensions that are greater or less than 5/16" of a standard size means it is a custom size window.**



**NOTE:** SINGLE GLIDING SHOWN.  
 END VENT AND EQUAL END VENT SIMILAR  
 TO ILLUSTRATION SHOWN.



### Parts Shown

<b>1</b> Glazing Bead Pkg..... pg. 2	<b>10</b> Jamb Cover ..... pg. 3
<b>3</b> Rail/Stile Weatherstrip ... pg. 2	<b>11</b> Spacer Block ..... pg. 3
<b>4</b> Checkrail Weatherstrip .. pg. 2	<b>12</b> Dust Block ..... pg. 3
<b>5</b> Sill Filler ..... pg. 2	<b>16</b> Sill Jamb Pad..... pg. 4
<b>6</b> Head Track ..... pg. 2	<b>18</b> Sash Lock..... pg. 5
<b>7</b> Sill Sash..... pg. 3	<b>19</b> Sash Keeper..... pg. 5
<b>8</b> Screen Filler ..... pg. 3	<b>20</b> Sash Roller..... pg. 5
<b>9</b> Mullion Assembly..... pg. 3	<b>22</b> Pull Bead ..... pg. 5

### Parts Not Shown

<b>2</b> Jamb Extender Pkg ..... pg. 3
<b>13</b> <b>15</b> Glass Shim ..... pg. 4
<b>17</b> Metal Joining/Install Plate...pg. 4
<b>21</b> Extension Jamb Clip..... pg. 5
<b>23</b> <b>32</b> Accessories ..... pg. 5-7

**Note: When ordering replacement parts,  
 unit must be viewed from exterior.**

**1 Glazing Bead Package**

Specify Catalog Size \_\_\_\_\_  
 (See pages 10-11)

White  
 Sandtone

**2 Jamb Extender Package**

4 9/16"     6 13/16"  
 6 9/16"     7 1/16"

**3 Rail/Stile Weatherstrip**

Available in .320 height only

**4 Checkrail Weatherstrip**

Available in .220 height only

**5 Sill Filler**

White  
 Sandtone

**STYLE: HZ**

**6 Head Track**

White  
 Sandtone

**STYLE: HZ**

Drawings not to scale.

**7 Sill Sash**

White  
 Sandtone

**STYLE: HZ**

**8 Screen Filler**

White  
 Sandtone

**STYLE: HZ**

**9 Mullion Assembly**

When ordering mullion for End Vent or Equal End Vent, please specify LEFT or RIGHT mullion.

White  
 Sandtone

**Mullion includes:**

- Pile Weatherstrip
- Sash Keeper
- Mullion Key
- Mullion Stiffener
- Mullion Plug

*Left Shown*

**STYLE: VT**

**10 Jamb Cover**

White  
 Sandtone

*Left Shown*

**STYLE: VT**

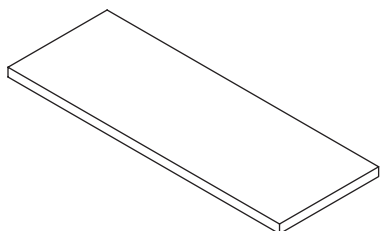
**11 Jamb Liner Spacer Block**

**STYLE: MISC**

**12 Dust Block**

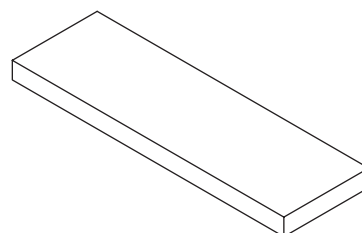
**STYLE: MISC**

**13** 1/16" Glass Shim



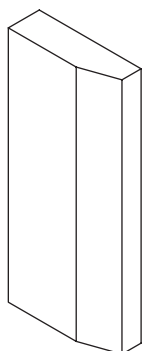
STYLE: **MISC**

**14** 3/32" Glass Shim



STYLE: **MISC**

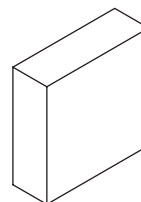
**15** 7/32" Glass Shim



STYLE: **MISC**

**16** Sill Jamb Pad

White  
 Sandtone



STYLE: **MISC**

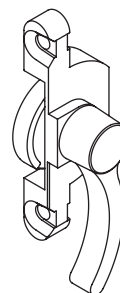
**17** Metal Joining/Installation Plate



STYLE: **MISC**


**18** Sash Lock

White  
 Sandtone



STYLE: **MISC**

**19 Sash Keeper**



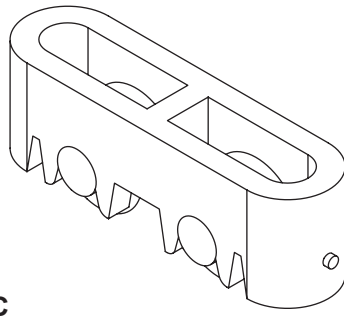
Fasteners NOT Included

White  
 Sandtone

Viewed from the interior.

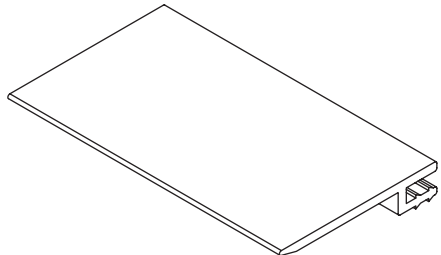
STYLE: MISC

**20 Sash Roller (pkg. of 2)**



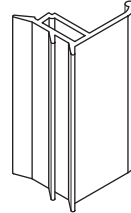
STYLE: MISC

**21 Extension Jamb Clip (pkg. of 16)**



STYLE: MISC

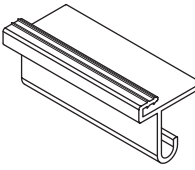

**22 Pull Bead**



White  
 Sandtone

STYLE: AC

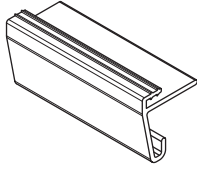
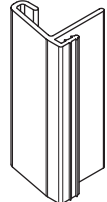
**23 5/8" J-Channel**

White  
 Sandtone

STYLE: AC

**24 7/8" J-Channel**

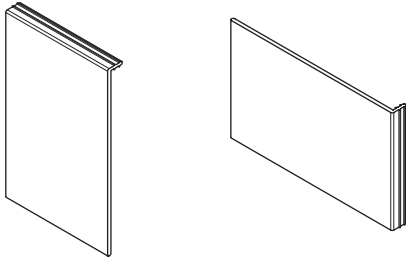



White  
 Sandtone

STYLE: AC

**25 Simulated Flat Casing**

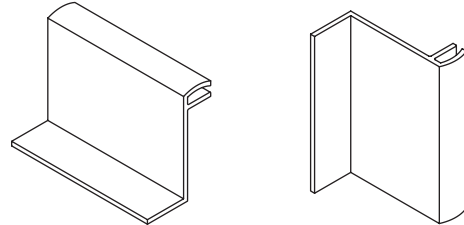
- White
- Sandtone



STYLE: AC

**26 Flat Casing Return**

- White
- Sandtone

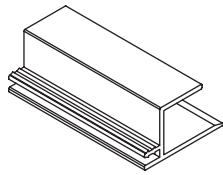


STYLE: AC

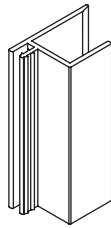
**27 Drywall Receptor**

1/2" Shown

- 1/2"
  - 5/8"
- Measurements pertain to drywall thickness.*
- White
  - Sandtone



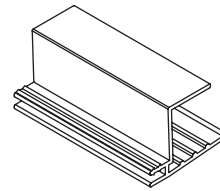
STYLE: AC



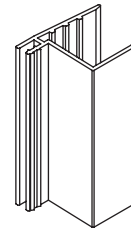
*Viewed from the interior.*

**28 3/4" Trim Receptor**

- White
- Sandtone



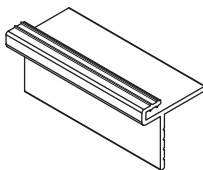
STYLE: AC



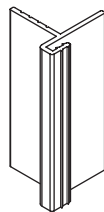
*Viewed from the interior.*

**29 Masonry Flange**

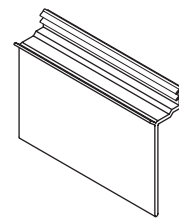
- White
- Sandtone



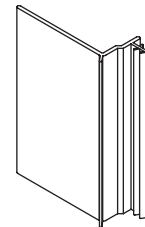
STYLE: AC



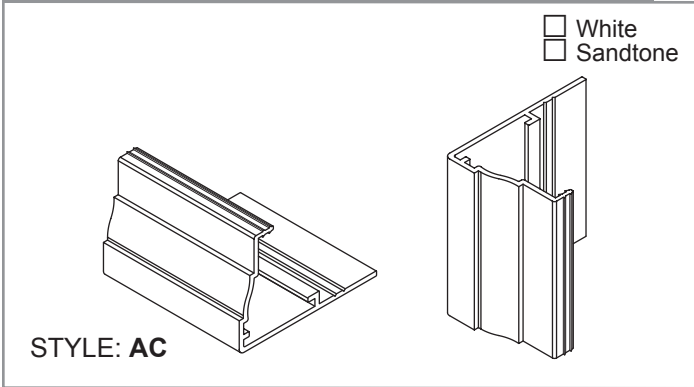
**30 Rigid Nail Fin**



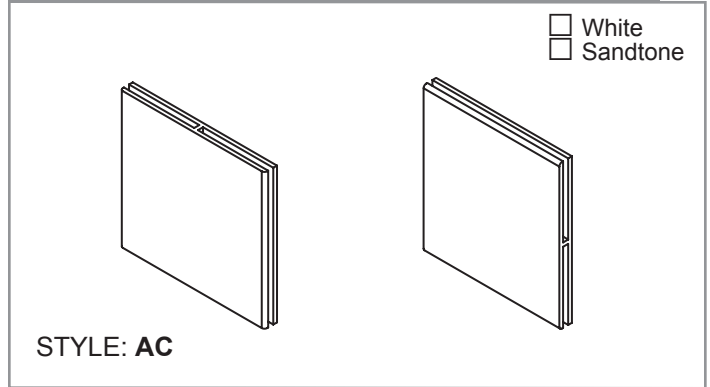
STYLE: AC



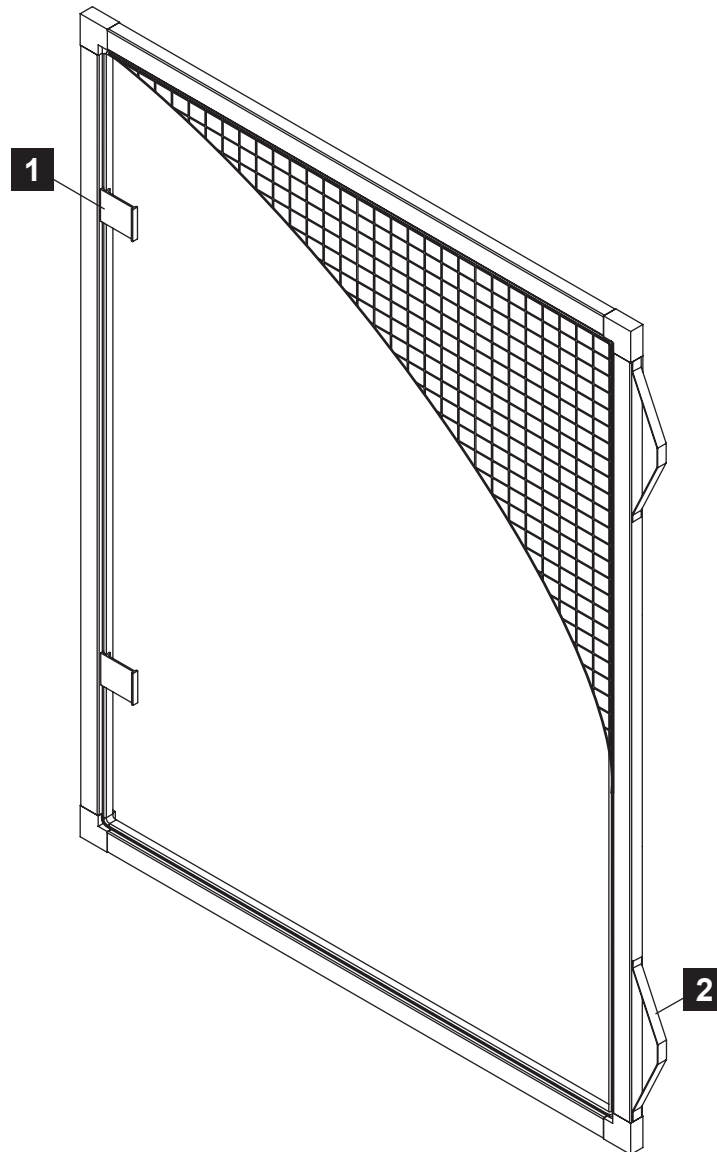
**31** Brickmould Casing



**32** Trim Connector



**GLIDING  
 WINDOW**

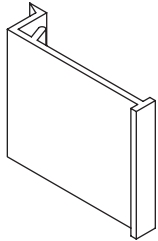


Parts Shown \_\_\_\_\_

- 1** Screen Pull Tab ..... pg. 9
- 2** Screen Leaf Spring..... pg. 9

**Note: When ordering replacement parts,  
unit must be viewed from exterior.**

**1** Screen Pull Tab (pkg. of 10)



STYLE: **MISC**

**2** Screen Leaf Spring (pkg. of 2)



STYLE: **MISC**

### Single Gliding Units (\*\*Visible Glass Sizes are for the active sash.)

Unit Dimension	2' 5-1/2"	2' 11-1/2"	3' 5-1/2"	3' 11-1/2"	4' 5-1/2"	4' 11-1/2"	5' 11-1/2"
Rough Opening	2' 6"	3' 0"	3' 6"	4' 0"	4' 6"	5' 0"	6' 0"
Soft Metric R.O. (mm)	762	914	1067	1219	1372	1524	1829
Visible Glass**	11-5/16"	14-5/16"	17-5/16"	20-5/16"	23-5/16"	26-5/16"	32-5/16"
1' 11-1/2"	610	17-7/8"					
2' 5-1/2"	762	23-7/8"					
2' 11-1/2"	914	29-7/8"					
3' 5-1/2"	1067	35-7/8"					
3' 11-1/2"	1219	41-7/8"					
4' 5-1/2"	1372	47-7/8"					
4' 11-1/2"	1524	53-7/8"					

\*Indicates unit meets 5.7 square feet egress requirement. Always check local codes.

### End Vent Units

Unit Dimension		5' 11-1/2"	6' 11-1/2"	7' 11-1/2"
Rough Opening		6' 0"	7' 0"	8' 0"
Soft Metric R.O. (mm)		1829	2134	2438
Visible Glass		14-5/16"/33-3/16"/14-5/16"	17-5/16"/39-3/16"/17-5/16"	20-5/16"/45-3/16"/20-5/16"
2' 11-1/2"	3' 0"	914	29-7/8"	EV 6030, 7030, 8030
3' 5-1/2"	3' 6"	1067	35-7/8"	EV 6036, 7036, 8036
3' 11-1/2"	4' 0"	1219	41-7/8"	EV 6040, 7040, 8040
4' 5-1/2"	4' 6"	1372	47-7/8"	EV 6046, 7046, 8046
4' 11-1/2"	5' 0"	1524	53-7/8"	EV 6050, 7050, 8050

GLIDING WINDOW

### Equal End Vent Units

Unit Dimension		5' 11-1/2"	6' 11-1/2"	7' 11-1/2"
Rough Opening		6' 0"	7' 0"	8' 0"
Soft Metric R.O. (mm)		1829	2134	2438
Visible Glass		20-9/16"	24-9/16"	28-9/16"
2' 11-1/2"	3' 0"	914	29-7/8"	EQEV 6030, 7030, 8030
3' 5-1/2"	3' 6"	1067	35-7/8"	EQEV 6036, 7036, 8036
3' 11-1/2"	4' 0"	1219	41-7/8"	EQEV 6040, 7040, 8040
4' 5-1/2"	4' 6"	1372	47-7/8"	EQEV 6046, 7046, 8046
4' 11-1/2"	5' 0"	1524	53-7/8"	EQEV 6050, 7050, 8050

Drawings not to scale.

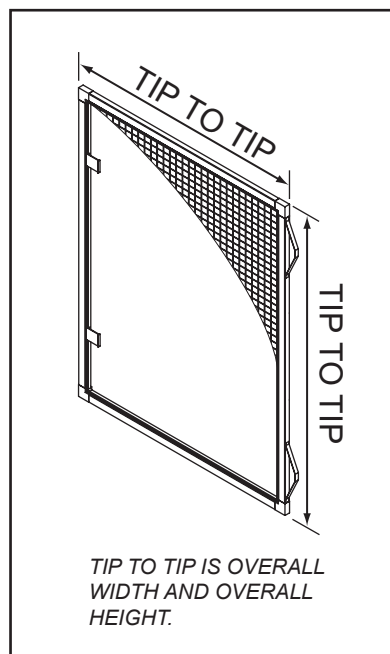
### Single Gliding Units (For Product Produced after 01/04)

**GLIDING WINDOW**

Catalog Size Code	Visible Glass Width	Visible Glass Height	Tip to Tip Width	Tip to Tip Height
2620	11 5/16	17 7/8	13 1/8	21
2626	11 5/16	23 7/8	13 1/8	27
2630	11 5/16	29 7/8	13 1/8	33
2636	11 5/16	35 7/8	13 1/8	39
2640	11 5/16	41 7/8	13 1/8	45
3020	14 5/16	17 7/8	16 1/8	21
3026	14 5/16	23 7/8	16 1/8	27
3030	14 5/16	29 7/8	16 1/8	33
3036	14 5/16	35 7/8	16 1/8	39
3040	14 5/16	41 7/8	16 1/8	45
3046	14 5/16	47 7/8	16 1/8	51
3050	14 5/16	53 7/8	16 1/8	57
3620	17 5/16	17 7/8	19 1/8	21
3626	17 5/16	23 7/8	19 1/8	27
3630	17 5/16	29 7/8	19 1/8	33
3636	17 5/16	35 7/8	19 1/8	39
3640	17 5/16	41 7/8	19 1/8	45
3646	17 5/16	47 7/8	19 1/8	51
3650	17 5/16	53 7/8	19 1/8	57
4020	20 5/16	17 7/8	22 1/8	21
4026	20 5/16	23 7/8	22 1/8	27
4030	20 5/16	29 7/8	22 1/8	33
4036	20 5/16	35 7/8	22 1/8	39
4040	20 5/16	41 7/8	22 1/8	45
4046	20 5/16	47 7/8	22 1/8	51
4050	20 5/16	53 7/8	22 1/8	57
4620	23 5/16	17 7/8	25 1/8	21
4626	23 5/16	23 7/8	25 1/8	27
4630	23 5/16	29 7/8	25 1/8	33
4636	23 5/16	35 7/8	25 1/8	39
4640	23 5/16	41 7/8	25 1/8	45
4646	23 5/16	47 7/8	25 1/8	51
4650	23 5/16	53 7/8	25 1/8	57
5020	26 5/16	17 7/8	28 1/8	21
5026	26 5/16	23 7/8	28 1/8	27
5030	26 5/16	29 7/8	28 1/8	33
5036	26 5/16	35 7/8	28 1/8	39
5040	26 5/16	41 7/8	28 1/8	45
5046	26 5/16	47 7/8	28 1/8	51
5050	26 5/16	53 7/8	28 1/8	57

Catalog Size Code	Visible Glass Width	Visible Glass Height	Tip to Tip Width	Tip to Tip Height
6020	32 5/16	17 7/8	31 1/8	21
6026	32 5/16	23 7/8	31 1/8	27
6030	32 5/16	29 7/8	31 1/8	33
6036	32 5/16	35 7/8	31 1/8	39
6040	32 5/16	41 7/8	31 1/8	45
6046	32 5/16	47 7/8	31 1/8	51
6050	32 5/16	53 7/8	31 1/8	57

**NOTE:** When ordering a screen, please measure from Tip to Tip.



### End Vent Units (For Product Produced after 01/04)

Catalog Size Code	Visible Glass Width	Visible Glass Height	Tip to Tip Width	Tip to Tip Height
6030	14 5/16	29 7/8	16 1/8	33
6036	14 5/16	35 7/8	16 1/8	39
6040	14 5/16	41 7/8	16 1/8	45
6046	14 5/16	47 7/8	16 1/8	51
6050	14 5/16	53 7/8	16 1/8	57
7030	17 5/16	29 7/8	19 1/8	33
7036	17 5/16	35 7/8	19 1/8	39
7040	17 5/16	41 7/8	19 1/8	45
7046	17 5/16	47 7/8	19 1/8	51
7050	17 5/16	53 7/8	19 1/8	57
8030	20 5/16	29 7/8	22 1/8	33
8036	20 5/16	35 7/8	22 1/8	39
8040	20 5/16	41 7/8	22 1/8	45
8046	20 5/16	47 7/8	22 1/8	51
8050	20 5/16	53 7/8	22 1/8	57

**NOTE:** When ordering a screen for an Equal End Vent unit, please measure from Tip to Tip.

