



**ProV Wood  
Casement/Awning Wood Window  
Parts Reference Catalog**

**January 2003 - Present**



***ORDERING DIRECTIONS, PG. 3-4***

***EXPLODED VIEWS, PG. 5***

Interior, pg. 5  
Exterior, pg. 6

***MULL CROSS SECTIONS, PG. 7***

Horizontal, pg. 7  
Vertical, pg. 7

***HOW TO MEASURE ORDER REPLACEMENT PARTS, PG. 8***

***ORDERING CODES, PG. 9***

***PARTS INDEX, PGS. 10-20***



# Casement/Awning Wood Window Ordering Directions

## DATES MANUFACTURED

Model 723 ProV Wood Casement/Awning:  
January 2003 to Present

## HOW TO ORDER A PART

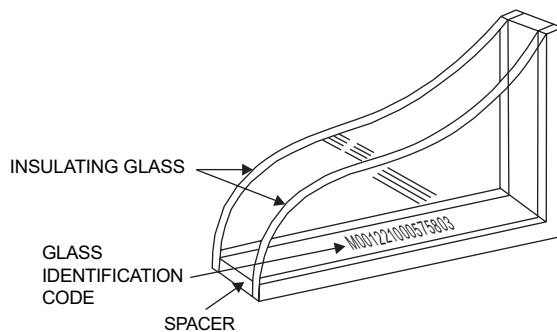
Identify the part using the exploded views.  
Specify the part by description.

**\*When ordering replacement parts, unit must be viewed from the exterior.**

## GLASS IDENTIFICATION CODE:

The glass code number references the date of manufacture, which is helpful in identifying the product.

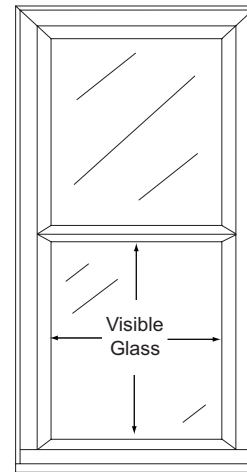
**When ordering warranty replacement glass, sash, or panels, it is necessary to specify the glass identification code.**



Markings are etched in the glass or printed/stamped on one of the four sides of the spacer channel which separates the two panes of glass.

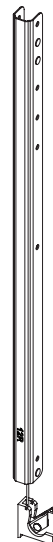
## MEASURING VISIBLE GLASS:

Typically, a part can be ordered by specifying catalog size of visible glass. The visible glass dimensions can be determined by measuring the width and the height of the exposed glass from inside the home. (Refer to arrows on the photo )



Measurements within + or - 1/4" will be rounded to the nearest standard size as given in the tables in the catalog. Visible glass dimensions that are greater or less than 5/16" of a standard size means it is a custom size window.

**\*When ordering replacement parts, unit must be viewed from the exterior.**



## TO ORDER BLOCK AND TACKLE YOU WILL NEED:

- Height and width
- Type of glass
- Color choice

# PART INFORMATION

## Section 1 REQUIRED

# UNIT INFORMATION

1. Quantity \_\_\_\_\_ (# of units requiring replacement parts)

2. Sash  Top  Bottom  Stationary

Operating  Picture  Transom  Eyebrow  Square Out/Radius In  Oriel

3. Special Shapes

Eyebrow

Modified Eyebrow

Springline

Modified Springline

Half Round

Modified Half Round

Quarter Round

Modified Quarter Round

Half Ellipse

Modified Ellipse Extended  
Legs

True Quarter Ellipse

True Quarter Ellipse Extended Legs

Quantity \_\_\_\_\_ Quantity Left\* \_\_\_\_\_ Quantity Right\* \_\_\_\_\_ (\*Left and Right quantities are required for Quarter Radius Units only)

Width \_\_\_\_\_ Height \_\_\_\_\_ Short Leg Height\*\* \_\_\_\_\_ (\*\*Short Leg Height is required for Extended Leg Radius Units only)

## Section 2

# GLASS OPTIONS

4. Glass

Insul  Insul Low E  Argon Gas  Capillary Tubes

Tempered Glass

Specialty Glass \_\_\_\_\_ (Bronze, Gray, Obscure)

*Pattern glass not available with SDL.*

## Section 3

# GLAZING OPTION ACCESSORIES

5. Accessory Configuration \_\_\_\_\_ Wide \_\_\_\_\_ High

(See EXAMPLE 1)

6. SDL Bars

Standard SDL Bars 

7/8"  1-1/4"

7. Airspace Grilles



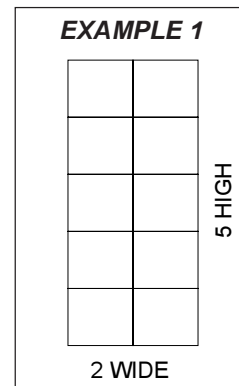
5/8" Flat  3/4" Sculptured

Color \_\_\_\_\_

8. Anodized Spacer  Bronze

9. Wood Perimeter Grilles  7/8"  1-1/4"

Style \_\_\_\_\_

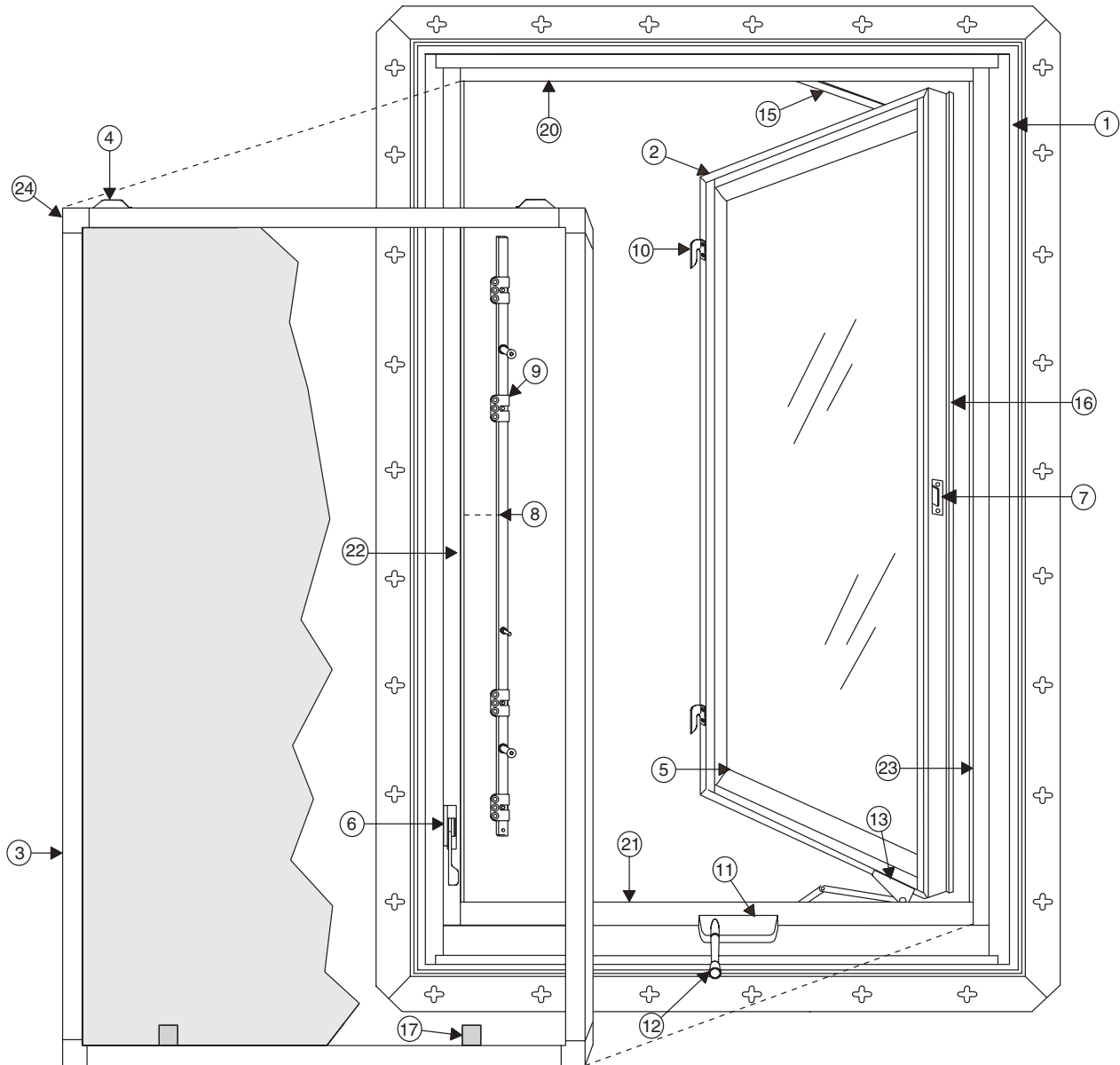




# Casement/Awning Wood Window

## Exploded View-Interior

Left Hinged Casement Unit shown.



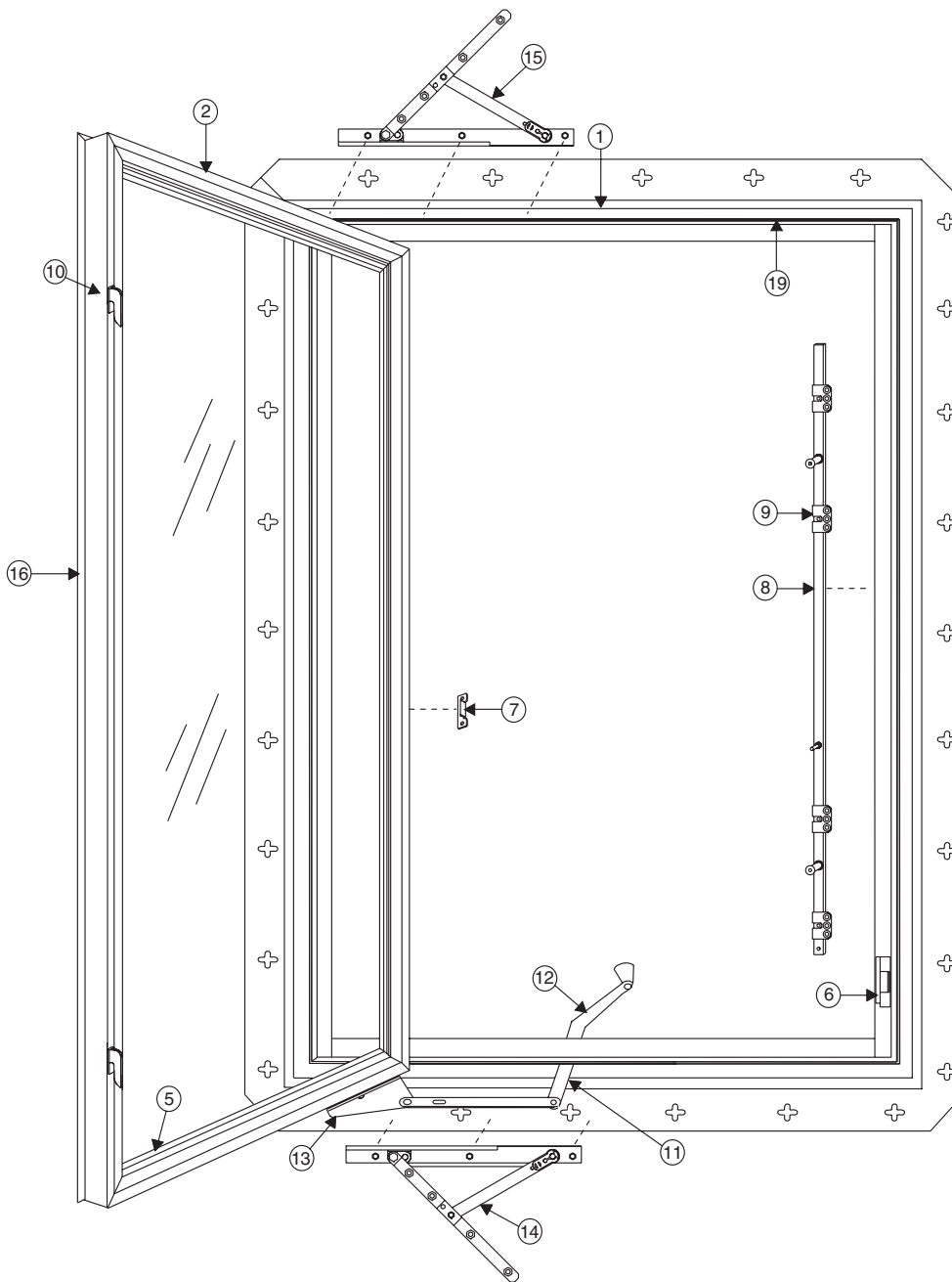
- |                             |         |                                    |         |
|-----------------------------|---------|------------------------------------|---------|
| 1) Main Frame               |         | 15) Top Hinge                      | Page 17 |
| 2) Sash                     |         | 16) Pile Weatherstrip              | Page 18 |
| 3) Screen Insert            | Page 10 | 17) Screen Tabs                    | Page 10 |
| 4) Tension Spring           | Page 10 | 18) Vinyl Nailing Fin              |         |
| 5) Sash Glazing Bead        | Page 13 | 20) Head Jamb Stop (CA)            | Page 13 |
| 6) Lock Handle              | Page 17 | Side Jamb Stop (AW)                | Page 15 |
| 7) Sash Snubber             | Page 18 | 21) Operating Sill Cover (CA)      | Page 12 |
| 8) Multi-Point Lock Tie Bar | Page 19 | Operating Jamb Cover (AW)          | Page 12 |
| 9) Tie Bar Guide            | Page 19 | 22) Operating Wood Sill Jamb Cover |         |
| 10) Sash Keeper             | Page 19 | w/rout (AW)                        | Page 12 |
| 11) Operator                | Page 15 | Lock Side Jamb Cover w/rout (CA)   | Page 14 |
| 12) Crank Handle            | Page 15 | 23) Operating Head Jamb Cover (AW) | Page 14 |
| 13) Operator Sash Bracket   | Page 15 | Hinge Side Jamb Cover (CA)         | Page 14 |



# Casement/Awning Wood Window

## Exploded View - Exterior

Left Hinged Casement Unit shown.

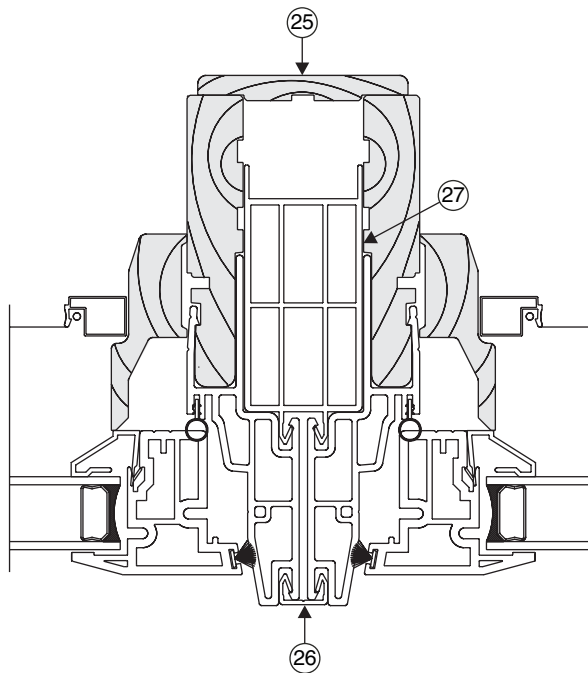


- |                             |         |                           |         |
|-----------------------------|---------|---------------------------|---------|
| 1) Main Frame               |         | 11) Operator              | Page 15 |
| 2) Sash                     |         | 12) Crank Handle          | Page 15 |
| 5) Sash Glazing Bead        | Page 13 | 13) Operator Sash Bracket | Page 15 |
| 6) Lock Handle              | Page 17 | 14) Bottom Hinge          | Page 17 |
| 7) Sash Snubber             | Page 18 | 15) Top Hinge             | Page 17 |
| 8) Multi-Point Lock Tie Bar | Page 19 | 16) Pile Weatherstrip     | Page 18 |
| 9) Tie Bar Guide            | Page 19 | 18) Vinyl Nailing Fin     | Page 18 |
| 10) Sash Keeper             | Page 19 | 19) Bulb Weatherstrip     | Page 17 |



# Casement Wood Window

## Horizontal/Vertical Mull Cross Sections



Vertical and Horizontal Mull Section

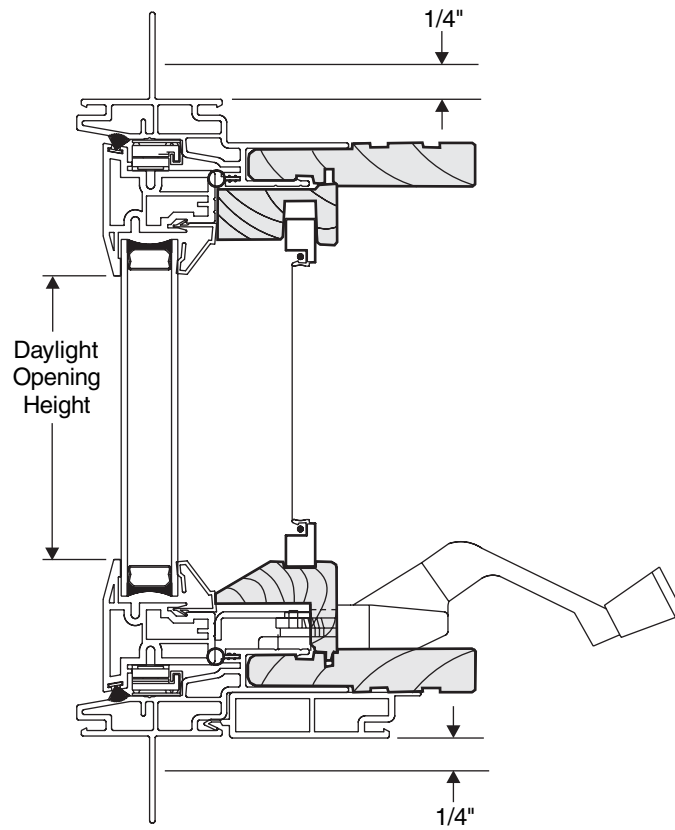
- |                               |         |
|-------------------------------|---------|
| 25) Inside Mull Strip Lattice | Page 13 |
| 26) Small Mull Cover          | Page 11 |
| 27) Interior Mull Filler      | Page 11 |



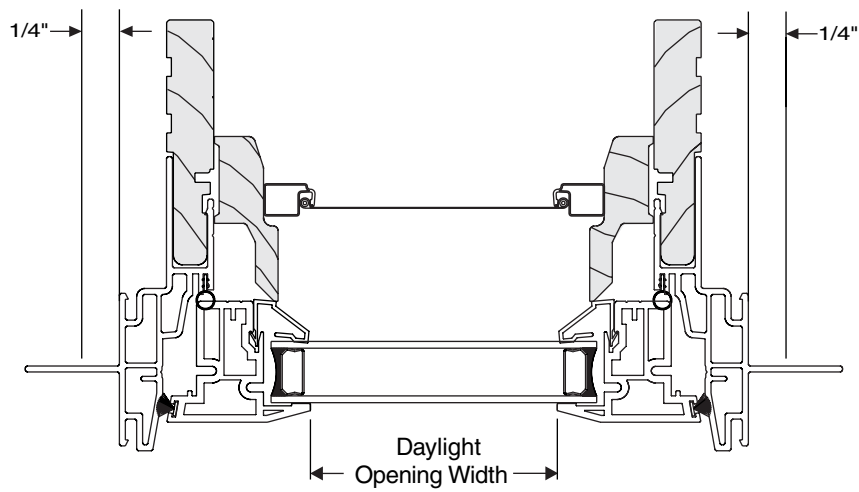
# Casement/Awning Wood Window

## How To Measure Order Replacement Parts

Side View



Top View





# Casement/Awning Wood Window

## Ordering Codes

### Casement Sash Assembly

Catalog Size Code	Visible Glass Size (W x H)
1530	10 15/16" x 29 15/16"
1536	10 15/16" x 35 15/16"
1540	10 15/16" x 41 15/16"
1620	11 15/16" x 17 15/16"
1630	11 15/16" x 29 15/16"
1636	11 15/16" x 35 15/16"
1640	11 15/16" x 41 15/16"
1646	11 15/16" x 47 15/16"
1650	11 15/16" x 53 15/16"
1656	11 15/16" x 59 15/16"
1660	11 15/16" x 65 15/16"
1820	13 15/16" x 17 15/16"
1830	13 15/16" x 29 15/16"
1836	13 15/16" x 35 15/16"
1840	13 15/16" x 41 15/16"
1846	13 15/16" x 47 15/16"
1850	13 15/16" x 53 15/16"
1856	13 15/16" x 59 15/16"
1860	13 15/16" x 65 15/16"
2020	17 15/16" x 17 15/16"
2030	17 15/16" x 29 15/16"
2036	17 15/16" x 35 15/16"
2040	17 15/16" x 41 15/16"
2046	17 15/16" x 47 15/16"
2050	17 15/16" x 53 15/16"
2056	17 15/16" x 59 15/16"
2060	17 15/16" x 65 15/16"
2620	23 15/16" x 17 15/16"
2630	23 15/16" x 29 15/16"
2636	23 15/16" x 35 15/16"
2640	23 15/16" x 41 15/16"
2646	23 15/16" x 47 15/16"
2650	23 15/16" x 53 15/16"
2656	23 15/16" x 59 15/16"
2660	23 15/16" x 65 15/16"
3030	29 15/16" x 29 15/16"
3036	29 15/16" x 35 15/16"
3040	29 15/16" x 41 15/16"
3046	29 15/16" x 47 15/16"
3050	29 15/16" x 53 15/16"
3056	29 15/16" x 59 15/16"

### Casement Picture Sash Assembly

Catalog Size Code	Visible Glass Size (W x H)
3036	29 15/16" x 35 15/16"
3040	29 15/16" x 41 15/16"
3046	29 15/16" x 47 15/16"
3050	29 15/16" x 53 15/16"
3056	29 15/16" x 59 15/16"
3060	29 15/16" x 65 15/16"
3636	35 15/16" x 35 15/16"
3640	35 15/16" x 41 15/16"
3646	35 15/16" x 47 15/16"
3650	35 15/16" x 53 15/16"
3656	35 15/16" x 59 15/16"
3660	35 15/16" x 65 15/16"
4036	41 15/16" x 35 15/16"
4040	41 15/16" x 41 15/16"
4046	41 15/16" x 47 15/16"
4050	41 15/16" x 53 15/16"
4056	41 15/16" x 59 15/16"
4060	41 15/16" x 65 15/16"
5036	53 15/16" x 35 15/16"
5040	53 15/16" x 41 15/16"
5046	53 15/16" x 47 15/16"
5050	53 15/16" x 53 15/16"
5056	53 15/16" x 59 15/16"
5060	53 15/16" x 65 15/16"
6036	65 15/16" x 35 15/16"
6040	65 15/16" x 41 15/16"
6046	65 15/16" x 47 15/16"
6050	65 15/16" x 53 15/16"
6056	65 15/16" x 59 15/16"
6060	65 15/16" x 65 15/16"

### Screen

Catalog Size Code	Tip To Tip (W x H)
1530	13 1/32" x 30 19/32"
1536	13 1/32" x 36 19/32"
1540	13 1/32" x 42 19/32"
1620	14 1/32" x 18 19/32"
1630	14 1/32" x 30 19/32"
1636	14 1/32" x 36 19/32"
1640	14 1/32" x 42 19/32"
1646	14 1/32" x 48 19/32"
1650	14 1/32" x 54 19/32"
1656	14 1/32" x 60 19/32"
1660	14 1/32" x 66 19/32"
1820	16 1/32" x 18 19/32"
1830	16 1/32" x 30 19/32"
1836	16 1/32" x 36 19/32"
1840	16 1/32" x 42 19/32"
1846	16 1/32" x 48 19/32"
1850	16 1/32" x 54 19/32"
1856	16 1/32" x 60 19/32"
1860	16 1/32" x 66 19/32"
2020	20 1/32" x 18 19/32"
2030	20 1/32" x 30 19/32"
2036	20 1/32" x 36 19/32"
2040	20 1/32" x 42 19/32"
2046	20 1/32" x 48 19/32"
2050	20 1/32" x 54 19/32"
2056	20 1/32" x 60 19/32"
2060	20 1/32" x 66 19/32"
2620	26 1/32" x 18 19/32"
2630	26 1/32" x 30 19/32"
2636	26 1/32" x 36 19/32"
2640	26 1/32" x 42 19/32"
2646	26 1/32" x 48 19/32"
2650	26 1/32" x 54 19/32"
2656	26 1/32" x 60 19/32"
2660	26 1/32" x 66 19/32"
3030	32 1/32" x 30 19/32"
3036	32 1/32" x 36 19/32"
3040	32 1/32" x 42 19/32"
3046	32 1/32" x 48 19/32"
3050	32 1/32" x 54 19/32"
3056	32 1/32" x 60 19/32"

### Note:

**When ordering Sash Assembly please specify the following type of 4 9/16" Jamb: (1-wide/1-high), (2-wide/1-high), (3-wide/1-high).**

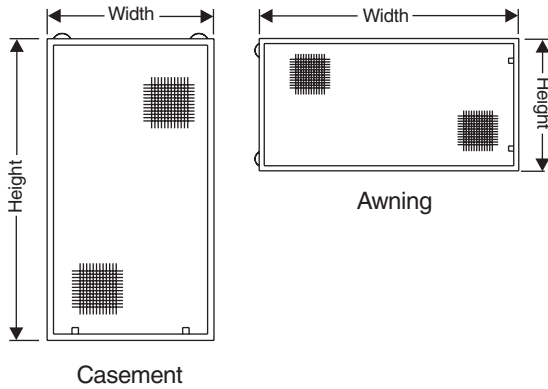


# Casement/Awning Wood Window

## Parts Index

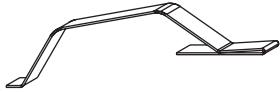
When ordering Parts, view the unit from the exterior.

### #3) Screen

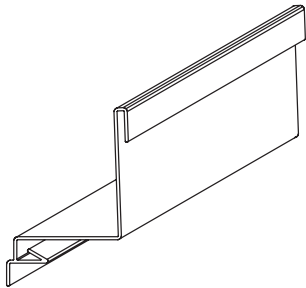


COLOR
White
Champagne

### #4) Screen Tension Leaf Spring



### 5" Head Mull Cover - Drip Cap



COLOR
White
Sandtone

### #17) Screen Tabs Gray 13/16"



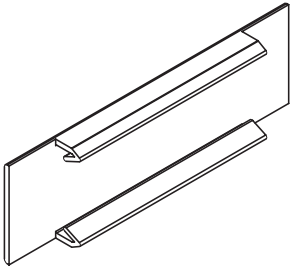


# Casement/Awning Wood Window

## Parts Index

*When ordering Parts, view the unit from the exterior.*

#26) Small Mull Cover

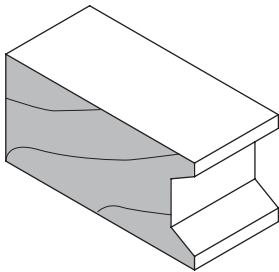


COLOR

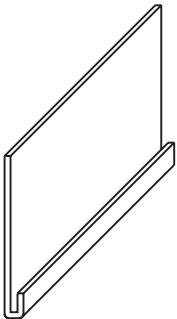
White

Sandtone

#27) Interior Mull Filler



Integral Sill Nailing Fin Mull Gasket





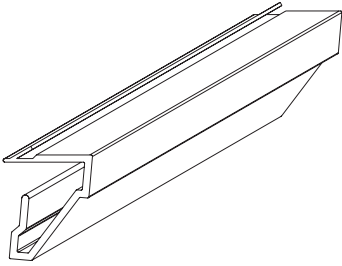
# Casement/Awning Wood Window

## Parts Index

*When ordering Parts, view the unit from the exterior.*

---

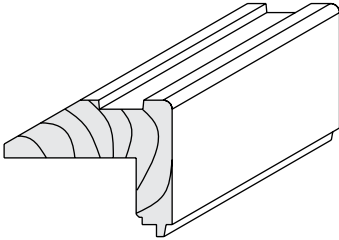
### #5) Vinyl Glazing Bead



COLOR
White
Sandtone

---

### #21) Operating Sill Cover



FINISH
Pine
Prefinished
Ash

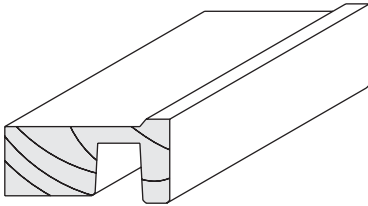


# Casement/Awning Wood Window

## Parts Index

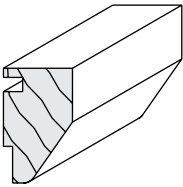
*When ordering Parts, view the unit from the exterior.*

#20) Head Jamb Stop/Stationary Sill Cover



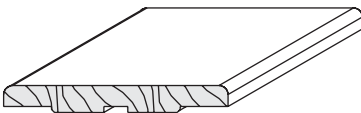
FINISH
Pine
Prefinished
Ash

#5) 15/16" Interior Wood SDL Glazing Bead



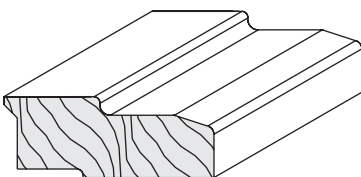
FINISH
Pine
Prefinished
Ash

#25) Inside Mull Strip Lattice



FINISH
Pine
Prefinished
Ash

Stationary Wood Jamb Cover



FINISH
Pine
Prefinished
Ash

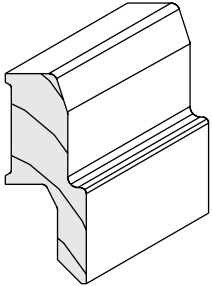


# Casement/Awning Wood Window

## Parts Index

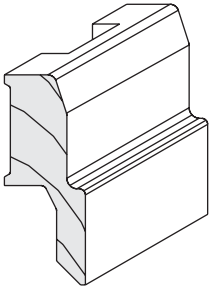
*When ordering Parts, view the unit from the exterior.*

#23) Operating Head Jamb Cover



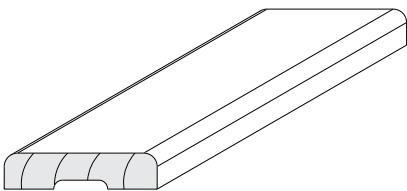
FINISH
Pine
Prefinished
Ash

#22) Operating Wood Sill Jamb Cover w/Rout



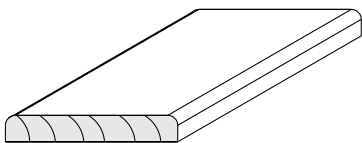
FINISH
Pine
Prefinished
Ash

#28) 30° & 45° A-Bay Inside Mull Strip Lattice



FINISH
Pine
Prefinished
Ash

#38) Bow Inside Mull Strip Lattice



FINISH
Pine
Prefinished
Ash

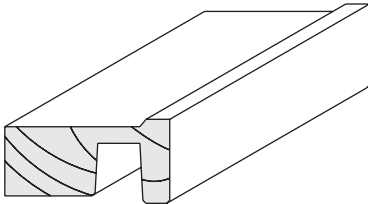


# Casement/Awning Wood Window

## Parts Index

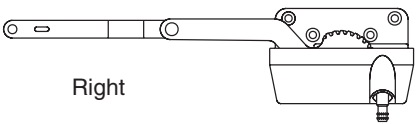
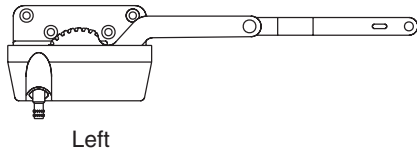
**When ordering Parts, view the unit from the exterior.**

#20) Side Jamb Stop/Operating and Stationary



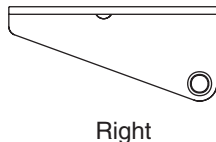
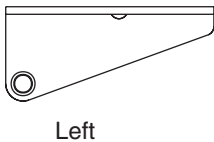
<b>FINISH</b>
Pine
Prefinished
Ash

#11) CA/AW Split Arm Operator



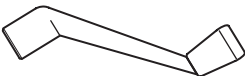
<b>COLOR</b>
White
Champagne
Seacoast White
Seacoast Champagne

#13) Operator Sash Bracket



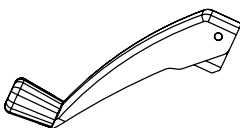
<b>TYPE</b>
Standard
Corrosion Resistant

#12) Crank Handle



<b>COLOR</b>
White
Champagne

Folding Crank Handle



<b>COLOR</b>
White
Champagne

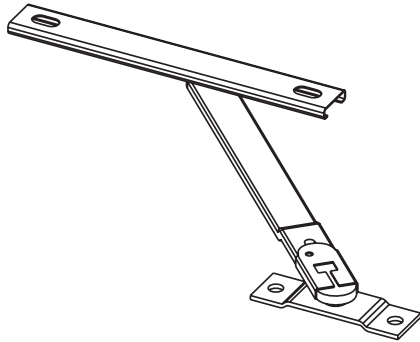


# Casement/Awning Wood Window

## Parts Index

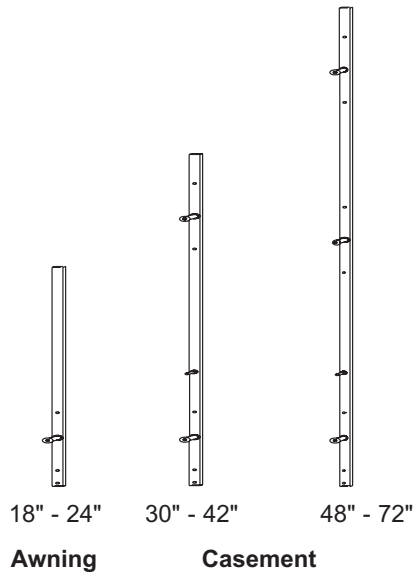
*When ordering Parts, view the unit from the exterior.*

### Sash Limiting Device w/4 Screws



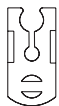
TYPE
Standard
Corrosion Resistant

### #8) Lock Tie Bar



POINTS	R. O. HEIGHT
1 point	18" & 24"
2 point	30"
2 point	36"
2 point	42"
3 point	48"
3 point	54"
3 point	60"
3 point	66"
3 point	72"

### Awning Hinge Clip



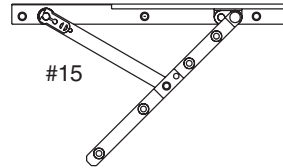
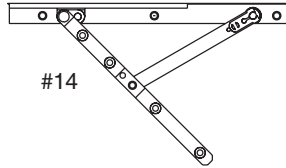


# Casement/Awning Wood Window

## Parts Index

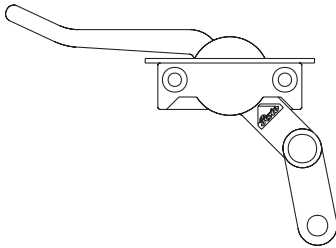
**When ordering Parts, view the unit from the exterior.**

- #14) Hinge Arm & Track 10" & 14" (L - Op - Btm / R - Op - Top)
- #15) Hinge Arm & Track 10" & 14" (L - Op - Top / R - Op - Btm)
- #7 x 1/2" Phillips Flat Head (Track) Screw
- #7 x 5/8" Phillips Flat Head Stainless Steel (Arm) Screw



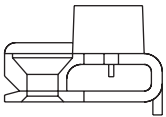
TYPE
10" Standard
14" Standard
10" Stainless Steel
14" Stainless Steel

- #6) Lock Handle

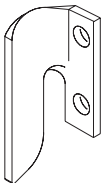


COLOR
White
Champagne

- #9) Tie Bar Guide Housing (Black Plastic)

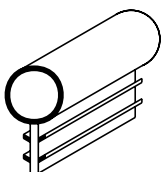


- #10) Sash Keeper



TYPE
Standard
Stainless Steel

- #19) Bulb Weatherstrip



COLOR
White
Sandtone

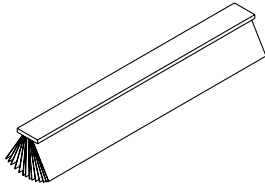


# Casement/Awning Wood Window

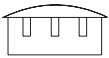
## Parts Index

*When ordering Parts, view the unit from the exterior.*

### #16) Pile Weatherstrip with Center Fin



### 3/8" Stationary Hole Plug

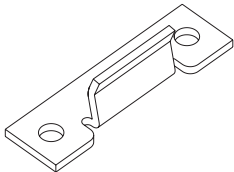


**COLOR**

White

Sandtone

### #7) Concealed Sash Snubber

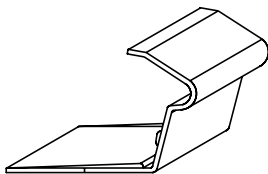


**TYPE**

Standard

Stainless Steel

### Grille Clips



		R.O. WIDTH						
		18"	24"	30"	32"	36"	42"	48"
R. O. H E I G H T	18"	7	7	7	7	7	7	11
	24"	7	7	7	7	7	7	11
	30"	7	7	7	7	7	11	11
	36"	7	7	7	7	11	11	11
	42"	7	7	11	11	11	11	11
	48"	7	7	11	11	11	11	11
	54"	11	11	11	11	16	16	16
	60"	11	11	11	11	16	16	16
	66"	11	11	11	11	16	16	16
	72"	11	11	11	11	16	16	16

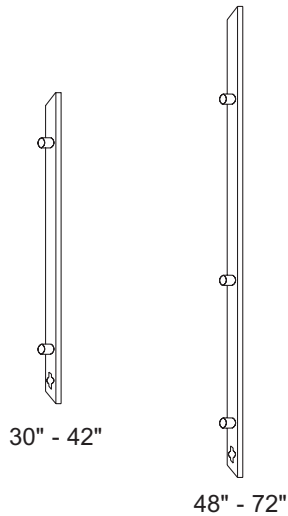


# Casement/Awning Wood Window

## Parts Index

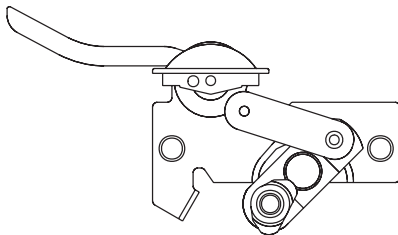
When ordering Parts, view the unit from the exterior.

### Lock Tie Bar



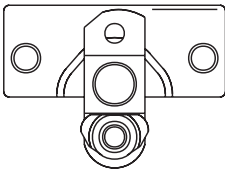
	POINTS	R.O. HEIGHT
	2 point	30"
	2 point	36"
TYPE	2 point	42"
Standard	3 point	48"
Stainless Steel	3 point	54"
	3 point	60"
	3 point	66"
	3 point	72"

### Concealed Master Lock w/Escutcheon Plate



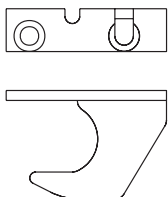
COLOR
White
Champagne

### Concealed Slave Lock



TYPE
Standard
Stainless Steel

### Sash Keeper



TYPE
Standard
Stainless Steel



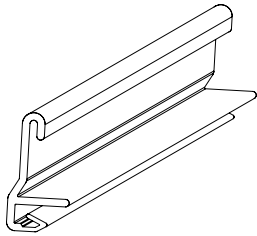
# Casement/Awning Wood Window

## Parts Index

*When ordering Parts, view the unit from the exterior.*

---

### J-Channel



---

**COLOR**

---

White

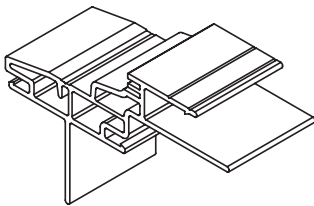
---

Sandtone

---

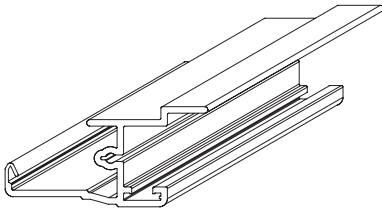
---

### Support Mulling Block (Frame Shim)



---

### Vinyl Brickmould



---

**COLOR**

---

White

---

Sandtone

---